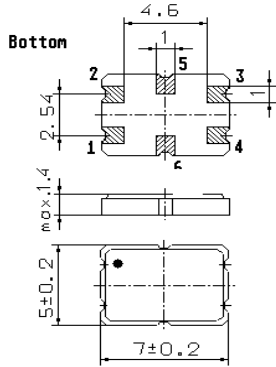


Specification for monolithic crystal filter:

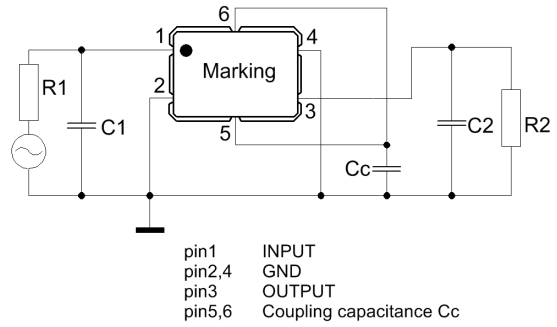
MQF 73.125 - 1500/06

1. General

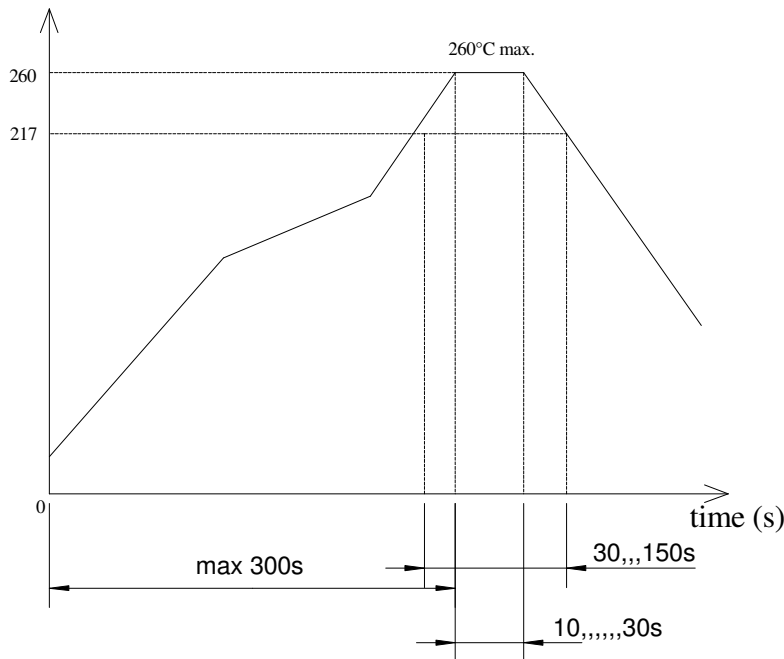
1.1. Package:



GS 2



temperature (°C)



Reflow soldering: three times max.

- | | |
|-----------------------------------|---------------------|
| 1.2. Type name: | MQF 73.125-1500/06 |
| 1.3. Number of poles: | 4, fundamental mode |
| 1.4. Operating temperature range: | -30°C to +85°C |

2. Electric values

- 2.1. Nominal centre frequency f_0 : 73.125 MHz
- 2.2. **Pass band**
- 2.2.1. Bandwidth between 3 dB - frequencies: $> f_0 \pm 7.5$ kHz
- 2.2.2. Ripple: < 1.0 dB at $f_0 \pm 4.5$ kHz
- 2.2.3. Insertion loss: < 5.0 dB
(measured on smallest attenuation in pass band)
- 2.3. **Stop band**
- 2.3.1. $f_0 \pm 25$ kHz > 20 dB
- 2.3.2. $f_0 \pm 50$ kHz > 40 dB
- 2.3.3. alternate attenuation $f_0 \pm 100$ kHz > 50 dB (except spurious)
- $f_0 \pm 1000$ kHz > 70 dB
- 2.4. Group delay distortion $f_0 \pm 7.5$ kHz < 35 μ s
- 2.4.1. Absolute Group delay f_0 < 65 μ s
- 2.5. Terminating impedance R//C (input and output): $350 \Omega // 2.5$ pF
- 2.5.1. Coupling capacitance 13 pF
- 2.6. Input power level for reference measurement: 0 dBm
- 2.6.1. Maximum input power level without destruction: +10 dBm
- 2.7. Outband Intermodulation
- 2.7.1. frequency 1: $f_0 \pm 20$ kHz / ± 50 kHz
- 2.7.2. frequency 2: $f_0 \pm 40$ kHz / ± 100 kHz
- 2.7.3. Input power level: -24 dBm
- 2.7.4. IM: < -99 dBm (75dB down from both -24dBm input tones)
3. Marking: • M7312A
yyww
4. Environment conditions: Corresponding to Telefilter CF001
5. Filters are Pb-free and 2002 /95 / EC RoHS compliant

Edited by: _____ date: _____ name: _____