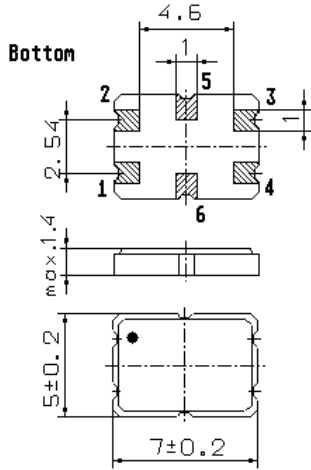


Specification for monolithic crystal filter:

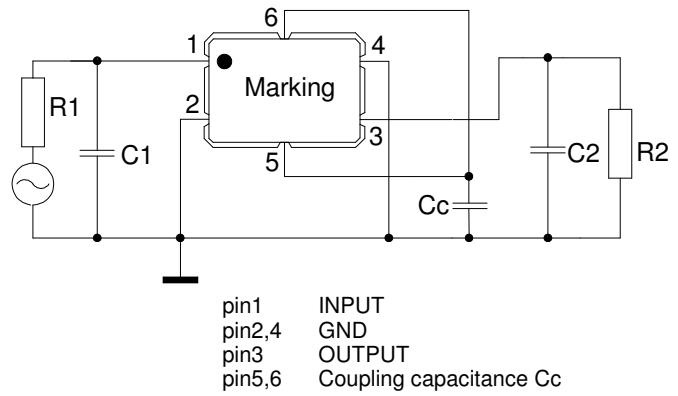
MQF 90.0-5000/02

1. General

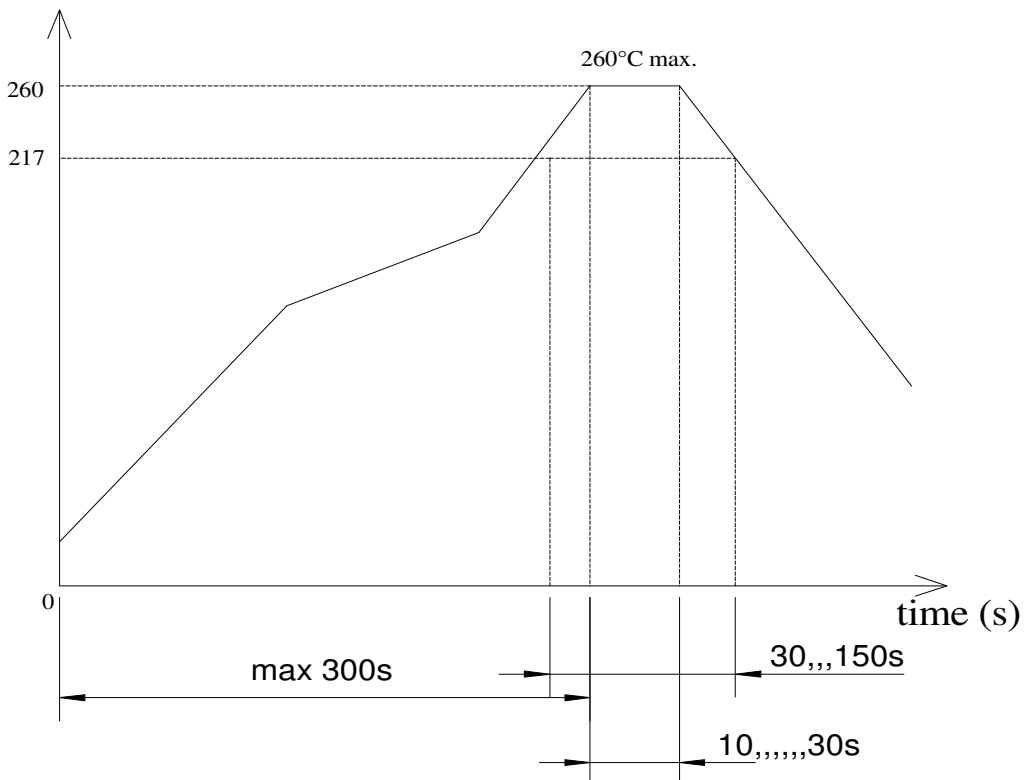
1.1. Package:



GS 2



temperature (°C)



Reflow soldering: three times max.

- 1.2. Type name: MQF 90.0-5000/02
- 1.3. Number of poles: 4
- 1.4. Operating temperature range: -40°C to +85°C
- 1.5. Storage temperature range: -55°C to +125°C

2. Electric values

- 2.1. Nominal centre frequency fo: 90.0 MHz

2.2. Pass band

- 2.2.1. Bandwidth between 3 dB - frequencies: > fo ± 25 kHz
- 2.2.2. Ripple: < 1.0 dB at fo ± 16.0 kHz
- 2.2.3. Insertion loss: < 5.0 dB
(measured on smallest attenuation in passband)
- 2.2.4. Group delay distortion: < 10 µs at fo ± 16.0 kHz

2.3. Stop band

- 2.3.1. fo ± 50kHz > 15 dB
- 2.3.2. fo ± 100 kHz > 35 dB
- 2.3.3. fo ± 500 kHz.....1000 kHz > 50 dB
- 2.3.4. Alternate attenuation > 70 dB (except spurious)
- 2.3.5. Spurious response + 500 kHz.....1000 kHz > 40 dB

- 2.4. Terminating impedance (input and output): 770 Ω // 0.7 pF

- 2.4.1. Coupling capacitance Cc: 3.3 pF

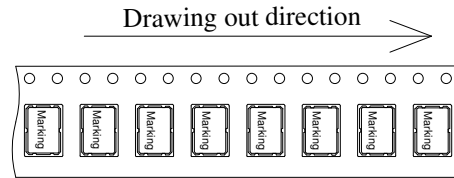
- 2.5. Input power level for reference measurement: -10 dBm
- 2.5.1. Maximum input power level without destruction: 0 dBm

- 3. Marking on the case: M90A3
yyww

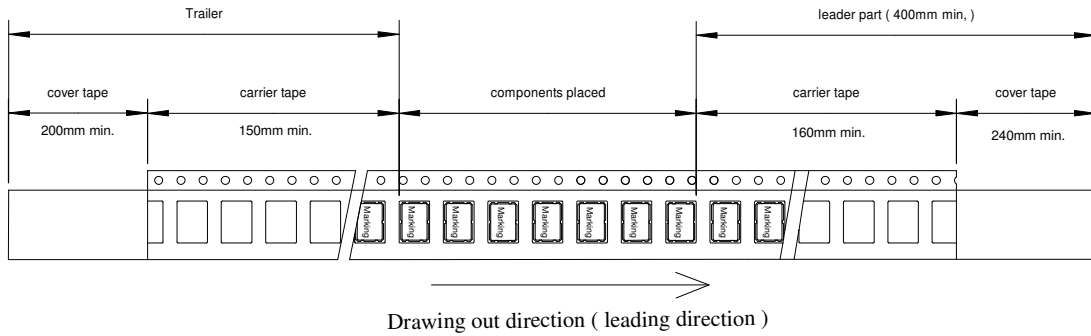
- 4. Environment conditions: Corresponding to Vectron CF001

6. Packing

maximum 1000 pcs. / reel

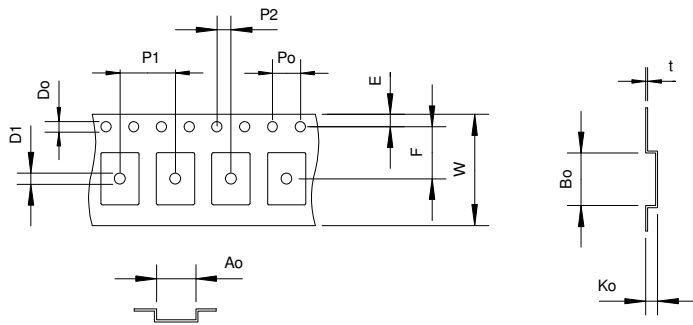


Tape dimension (mm)



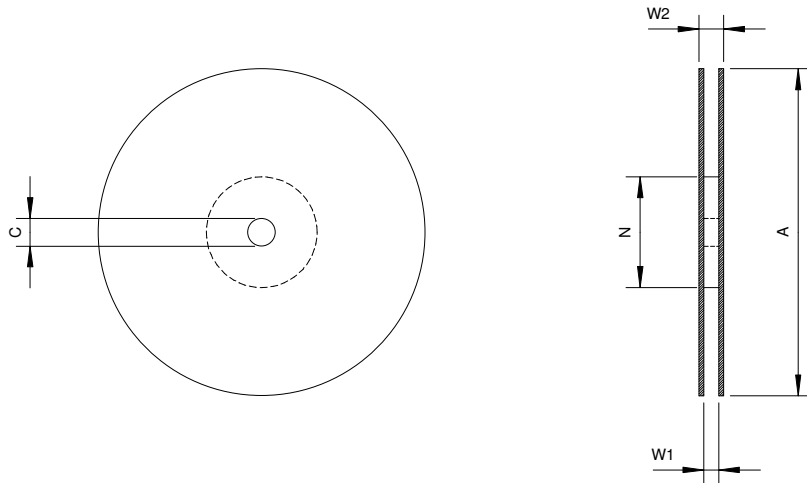
Tape (all dimensions in mm)

- W: 16.0 ± 0.1
- Po: 4.0 ± 0.1
- P1: 8.0 ± 0.1
- P2: 2.0 ± 0.1
- Do: $1.5 +0.1 / -0$
- D1: $1.6 +0.1 / -0$
- E: 1.75 ± 0.1
- F: 7.5 ± 0.1
- Ko: 1.7 ± 0.1
- Ao: 5.6 ± 0.1
- Bo: 7.6 ± 0.1
- t: 0.3 ± 0.05



Reel (all dimension in mm)

- A: $\varnothing 178 \pm 2$
- C: $\varnothing 13 \pm 0.5$
- N: $\varnothing 60 \pm 1$
- W1: 17.5 ± 1.5
- W2: 21.5 ± 1.5



Edited by: _____ date: _____ name: _____